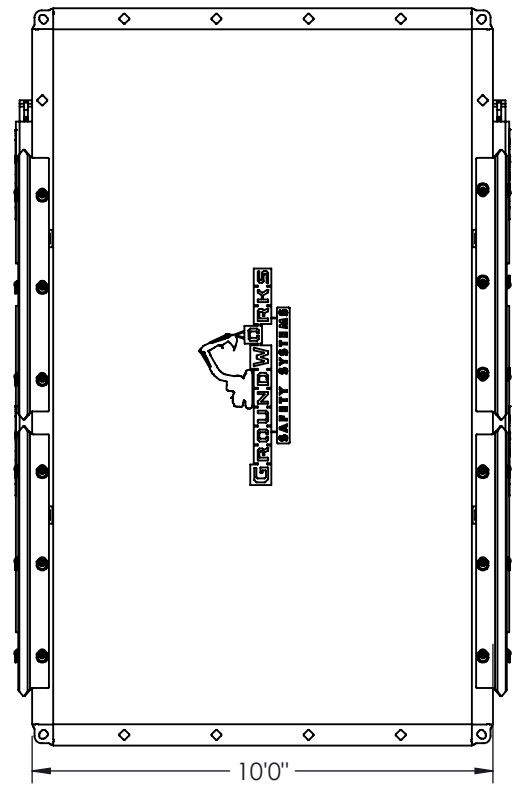
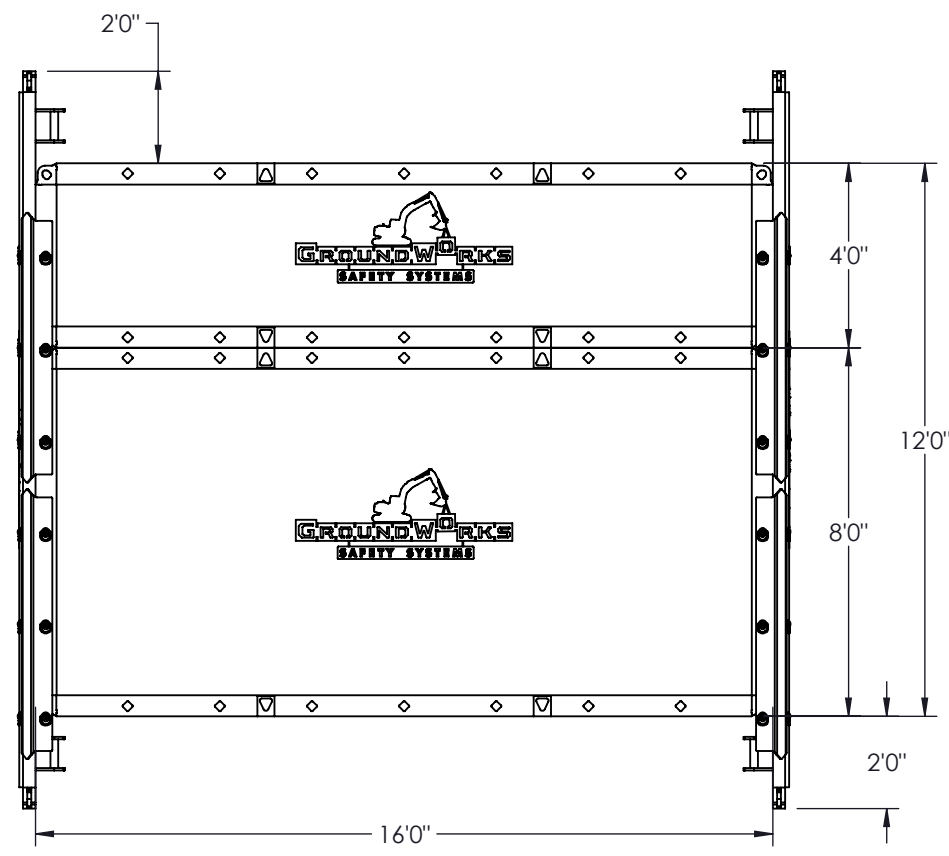
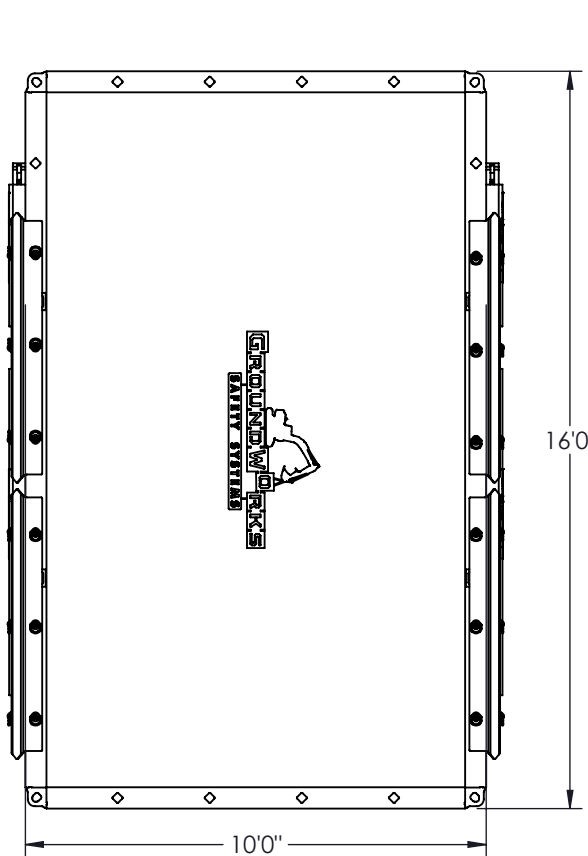
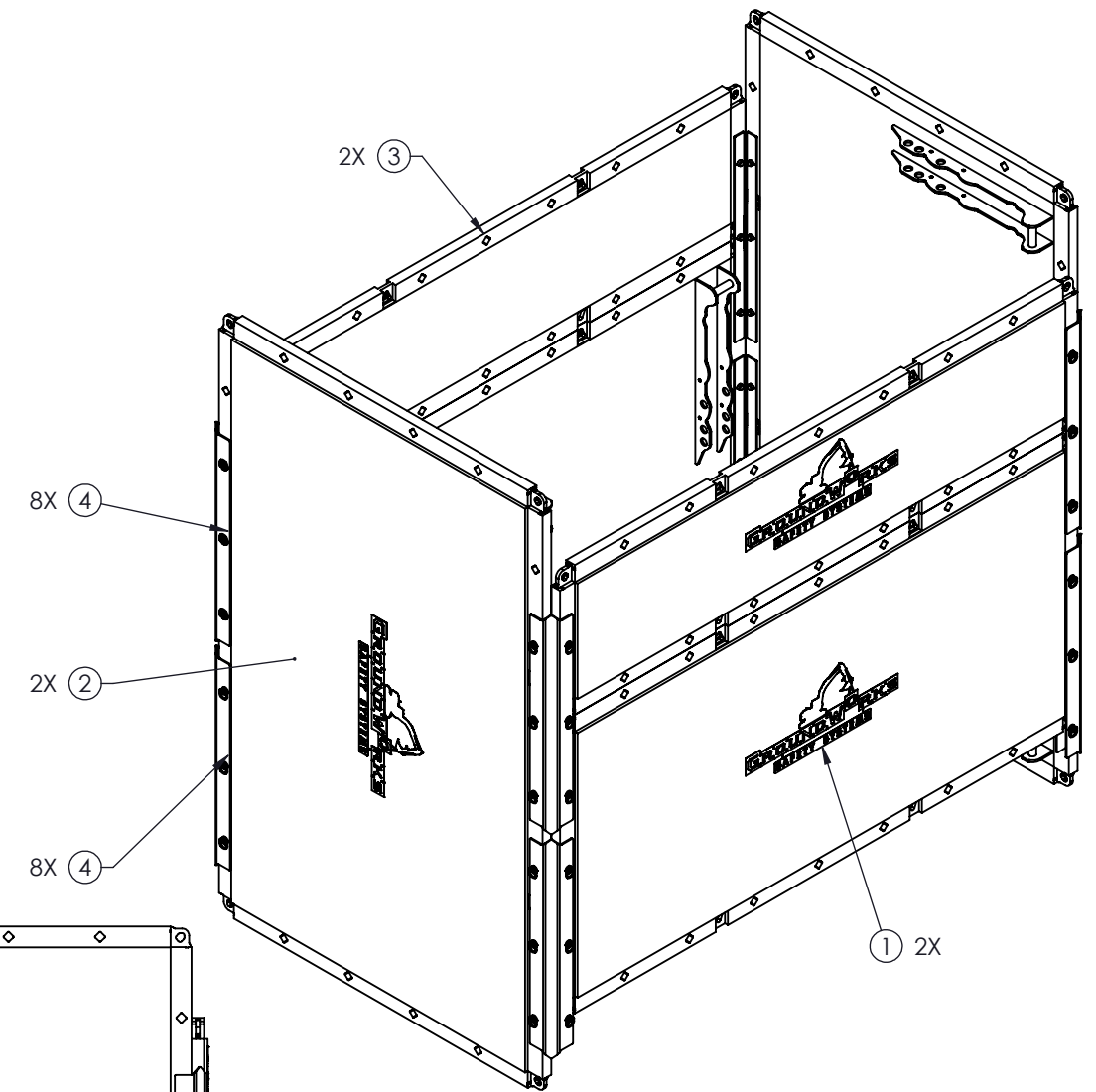
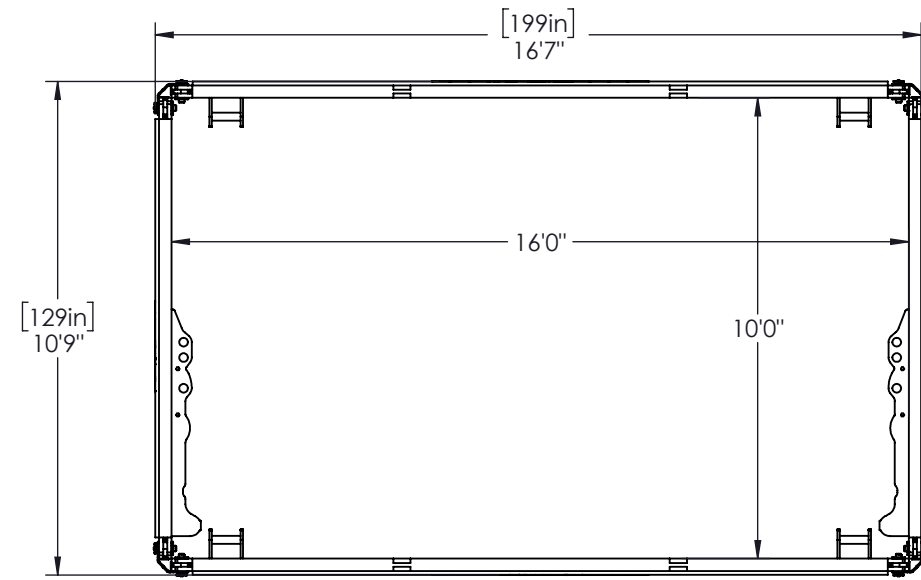



| ITEM | Part Config | DESCRIPTION | Config | QTY. | Weight |
|------|-------------|---------------------------|----------|------|--------|
| 1 | MMB-0816 | 8'x16' Medium Duty Panel | MM 8X16 | 2 | 3140 |
| 2 | MMB-1016 | 10'x16' Medium Duty Panel | MM 10X16 | 2 | 3710 |
| 3 | MMB-0416 | 4'x16' Medium Duty Panel | MM 4X16 | 2 | 1420 |
| 4 | AMB22-6 | 6-Foot Corner Connectors | 6 PIN | 8 | 330 |




 4207 53rd Street Close, Innisfail, Alberta, T4G 1P9
 DWG TITLE: MM 8X16 16LX10WX14D_4S

NOTICE OF CONFIDENTIALITY:
 INFORMATION INCLUDED IN THIS DRAWING
 IS PROPRIETARY, AND IS NOT TO BE
 REPRODUCED, DISTRIBUTED, OR DISCLOSED
 EXCEPT AS SPECIALLY AUTHORIZED IN
 WRITING BY GROUNDWORKS SAFETY
 SYSTEMS INC.

SCALE: 1:50
 DATE: 2025-10-15
 WEIGHT: 19180 lbs